



REPLY TO  
ATTENTION OF

**DEPARTMENT OF THE ARMY**  
THE INSTITUTE OF HERALDRY  
9325 GUNSTON ROAD, ROOM S112  
FORT BELVOIR, VIRGINIA 22060-5579

AAMH-IHS (840-10a)

AUG 04 2016

MEMORANDUM FOR Commander, US Army Advanced Airborne School, ATTN: SFC  
Cathey, Fort Bragg, NC 28310

SUBJECT: Beret Flash and Background Trimming for the United States Army  
Advanced Airborne School

1. The request for a beret flash and background trimming for the United States Army Advanced Airborne School is approved. Forwarded for your organizational records is the authorization letter (encl 1).
2. Also enclosed for use in procurement of the items are:
  - a. Manufacturing drawings for the flash and trimming (TIOH Dwg. No. A-4-308 and A-6-335) (encls 2 and 3).
  - b. Color prints and black and white line drawings of the flash and trimming (encls 4 and 5).
  - c. A list of certified manufacturers and procedures for local procurement of insignia (encls 6 and 7).
3. POC this Institute is Mrs. Henning by telephone at DSN 656-4972, Commercial (703) 806-4972 or by email at [bonnie.s.henning.civ@mail.mil](mailto:bonnie.s.henning.civ@mail.mil).

7 Encls  
as

MUGNO.CHARLES.V.1  
020723374  
CHARLES V. MUGNO  
Director

Digitally signed by MUGNO.CHARLES.V.1 020723374  
DN: cn=US, ou=U.S. Government, ou=OID, ou=PKI,  
ou=USA, cn=MUGNO.CHARLES.V.1020723374  
Date: 2016.08.04 16:53:32 -0400



REPLY TO  
ATTENTION OF

## DEPARTMENT OF THE ARMY

THE INSTITUTE OF HERALDRY  
9325 GUNSTON ROAD, ROOM S112  
FORT BELVOIR, VIRGINIA 22060-5579

AAMH-IHS (840-10a)

AUG 04 2016

MEMORANDUM FOR Commander, US Army Advanced Airborne School, ATTN: SFC  
Cathey, Fort Bragg, NC 28310

SUBJECT: Beret Flash and Background Trimming for the United States Army  
Advanced Airborne School

1. In accordance with the provisions of AR-670-1, a beret flash and background trimming are authorized for wear by members of the United States Army Advanced Airborne School.
2. The descriptions of the designs are as follows:

### BERET FLASH

A shield-shaped embroidered item with a semi-circular base 2 1/4 inches (5.72 cm) in height and 1 7/8 inches (4.76 cm) in width overall, containing a background divided vertically ultramarine blue to the left and scarlet to the right, edged with a white border, pierced downward by a black spearhead point to base; all within a 1/8 inch (.32 cm) black border.

### BACKGROUND TRIMMING

A black oval-shaped embroidered item 1 3/8 inches (3.49 cm) in height and 2 1/4 inches (5.72 cm) in width overall, divided diagonally from upper left to lower right by three lines ultramarine blue over white over scarlet; all within a 1/8 inch (.32 cm) white border.

### CABLE NUMBERS OF COLORS

Black	#67138
Ultramarine Blue	#67118
White	#67101
Scarlet	#67111

**AAMH-IHS (840-10a)**  
**SUBJECT: Beret Flash and Background Trimming for the United States Army**  
**Advanced Airborne School**

**3. This authorization does not grant exclusive use of the above colors and pattern design for the United States Army Advanced Airborne School.**

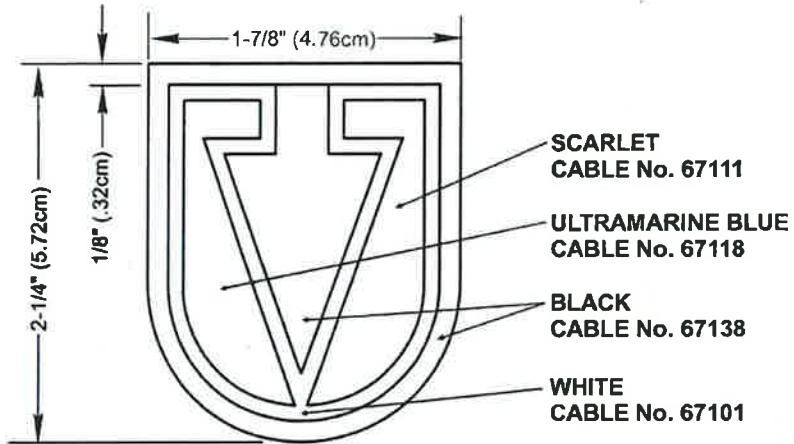
MUGNO.CHARLES.V.1  
020723374  
**CHARLES V. MUGNO**  
Director

Digitally signed by MUGNO.CHARLES.V.1020723374  
DN: c=US, o=U.S. Government, ou=DoD, ou=PKI,  
ou=USA, cn=MUGNO.CHARLES.V.1020723374  
Date: 2016.08.04 16:51:54 -0400

**CF: CMH**

**REVISIONS**

LTR	DESCRIPTION	DATE	APPROVED
-----	-------------	------	----------



**DESIGNED FOR OVEREDGE STITCHING**

UNLESS OTHERWISE SPECIFIED DIMENSIONS ARE IN INCHES TOLERANCES ON FRACTIONS DECIMALS ANGLES

MATERIALS: TO BE MANUFACTURED IN ACCORDANCE WITH MIL-DTL-14652

EXAMINED	TZC	
CHECKED	CLH	SAC
PREPARED	CLH	

APPROVED  
MUGNO CHARLES V. 1020 723374  
APPROVED FOR THE ARMY HERALDRY DIVISION BY THE ARMY HERALDRY DIVISION ON 12 JULY 2016

CHARLES V. MUGNO  
DIRECTOR

THE INSTITUTE OF HERALDRY, DEPARTMENT OF THE ARMY  
9325 GUNSTON RD, RM S-113 FORT BELVOIR, VA 22060-5579

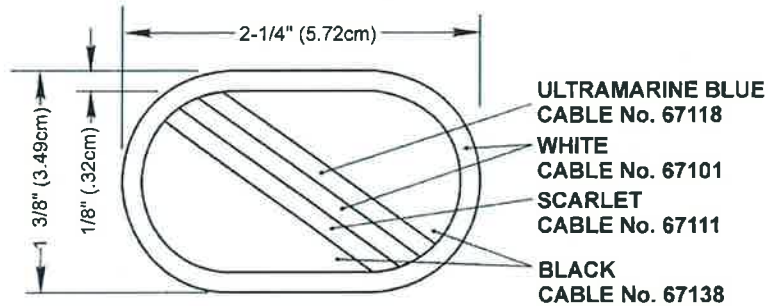
BERET FLASH FOR  
**US ARMY**  
**ADVANCED AIRBORNE SCHOOL**

SIZE	CONTROL IDENT. NO	
<b>A</b>	<b>22571</b>	<b>A-4-308</b>

SCALE	FULL	DATE	12 JULY 2016
-------	------	------	--------------

**REVISIONS**

LTR	DESCRIPTION	DATE	APPROVED
-----	-------------	------	----------



**DESIGNED FOR OVEREDGE STITCHING**

UNLESS OTHERWISE SPECIFIED DIMENSIONS ARE IN INCHES TOLERANCES ON FRACTIONS DECIMALS ANGLES

EXAMINED	TLG	
CHECKED	CA	S00
PREPARED	CLH	
APPROVED		

THE INSTITUTE OF HERALDRY, DEPARTMENT OF THE ARMY  
9325 GUNSTON RD, RM S-113 FORT BELVOIR, VA 22060-5579

BACKGROUND TRIMMING FOR

**US ARMY  
ADVANCED AIRBORNE SCHOOL**

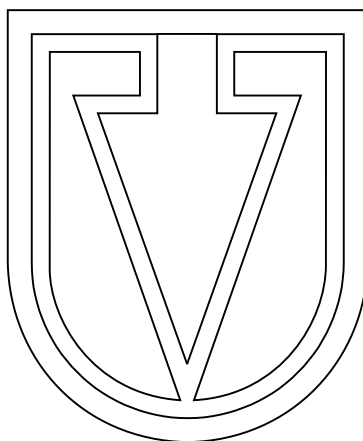
MATERIALS:  
TO BE MANUFACTURED IN ACCORDANCE WITH MIL-DTL-14652

MUGNO CHARLES V. 102072337  
4  
CHARLES V. MUGNO  
DIRECTOR

SIZE	CONTROL IDENT. NO	
<b>A</b>	<b>22571</b>	<b>A-6-335</b>
SCALE	FULL	DATE
		<b>12 JULY 2016</b>

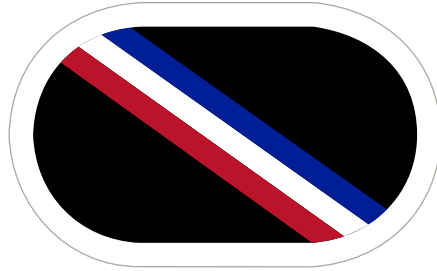


*COLOR*

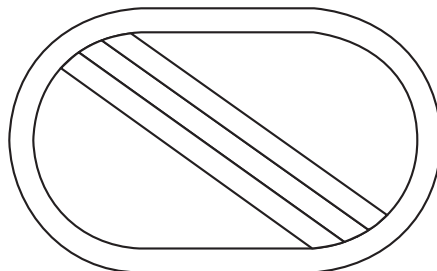


*LINE*

*FLASH  
US ARMY  
ADVANCED AIRBORNE SCHOOL*



*COLOR*



*LINE*

**BACKGROUND TRIMMING  
US ARMY  
ADVANCED AIRBORNE SCHOOL**